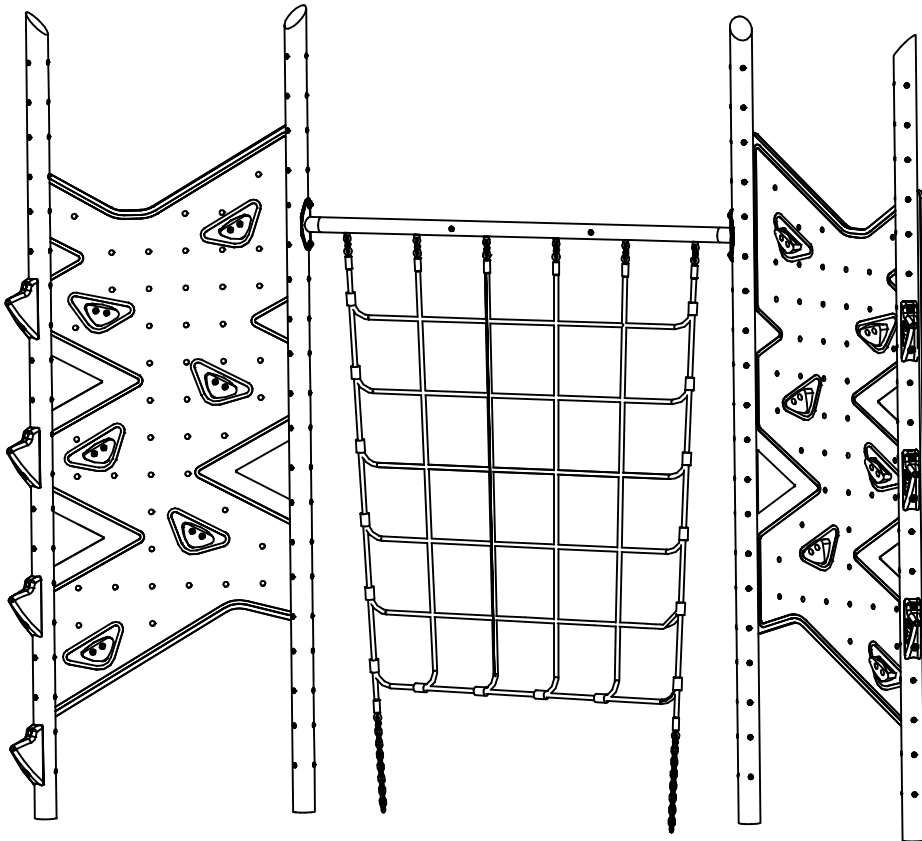
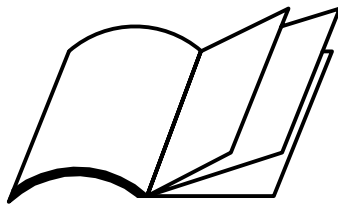


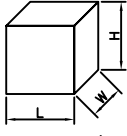
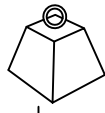
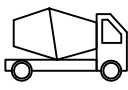
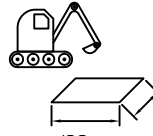
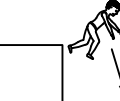

HAGS

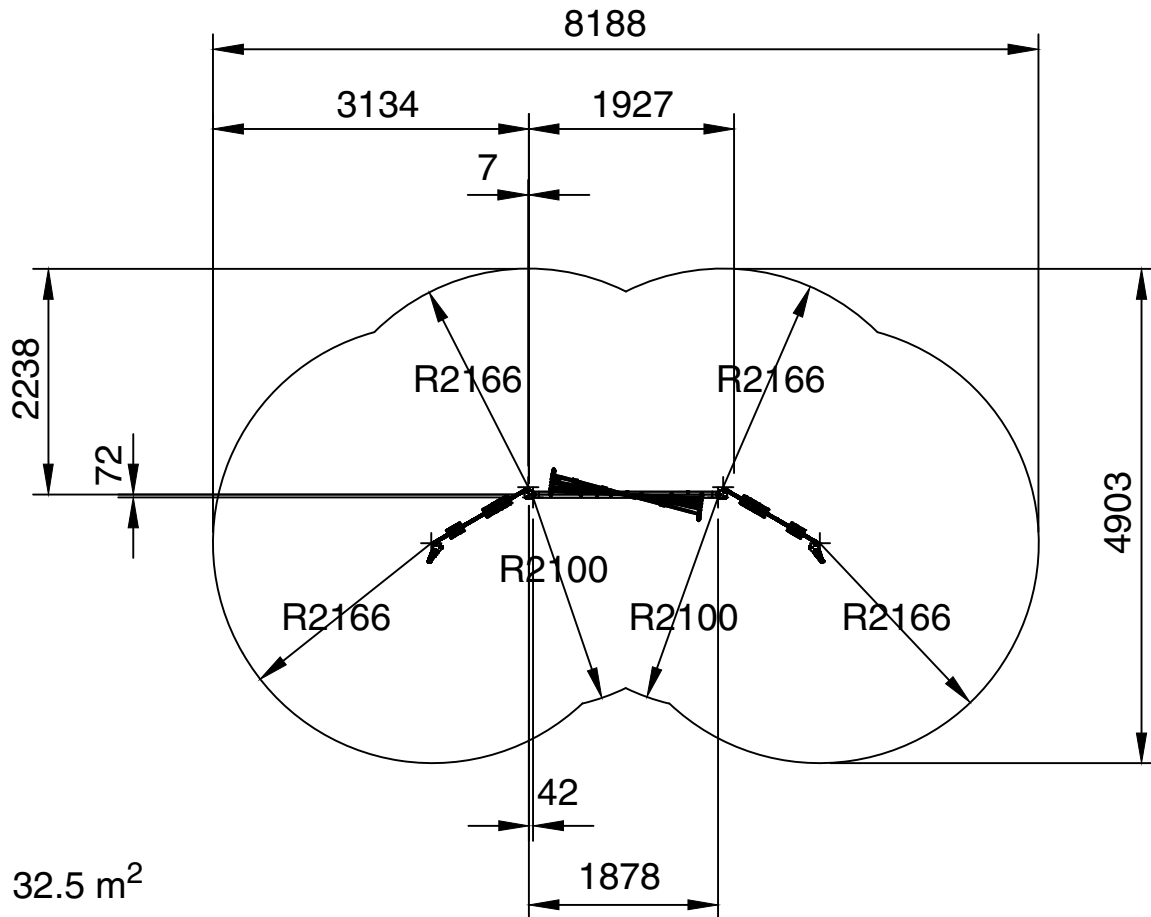
NEXUS ALTITUDE NXA-08

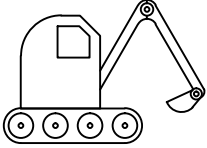




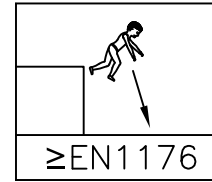
Section 1:

	 LxWxH (m)	 kg	 m ³	 m	 ≥EN1176	 x 2 = T
NXA-08	3.93 x 0.95 x 3.25	326.0	0.87	10.0 x 6.5	2.5m	T = 16h

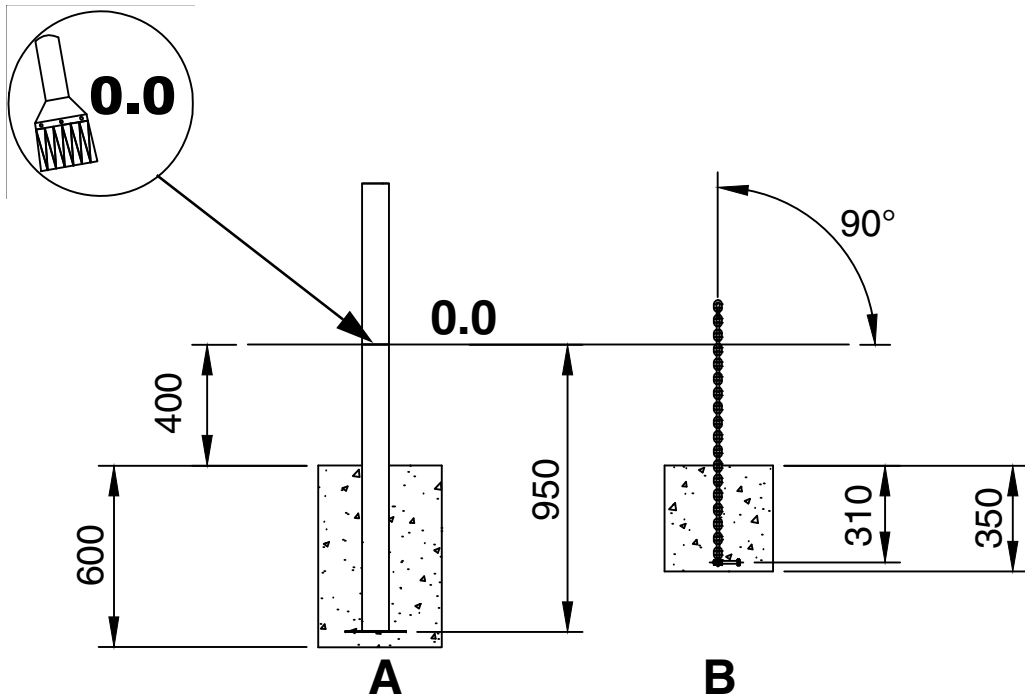
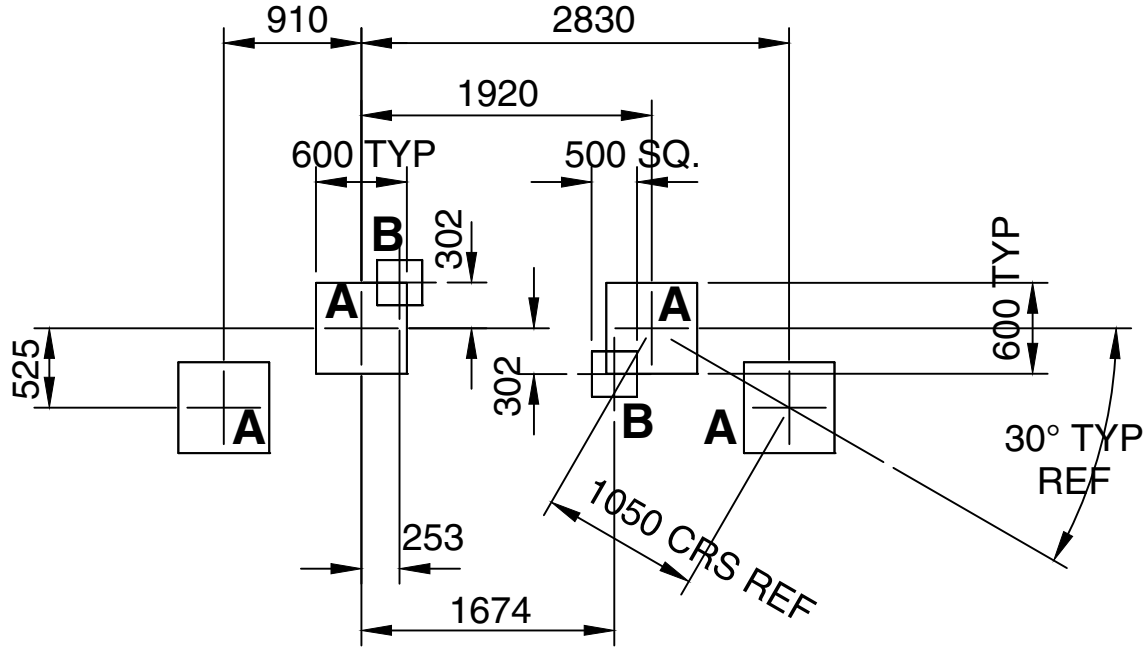


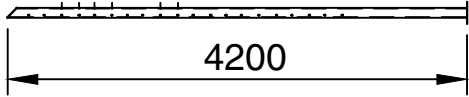
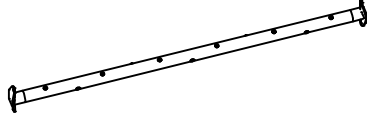
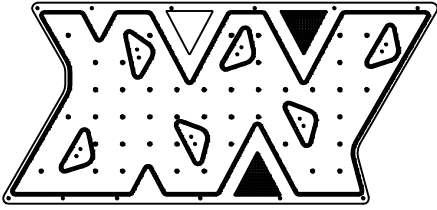
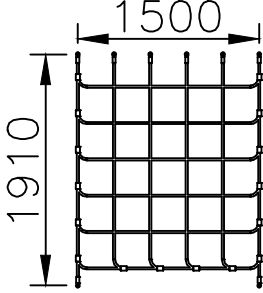

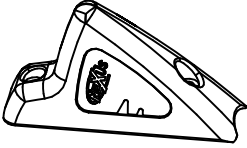

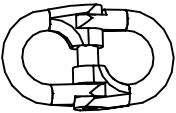





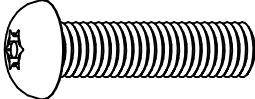
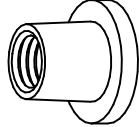

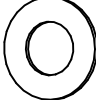
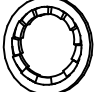
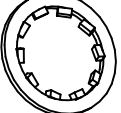
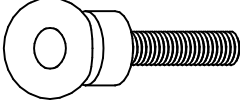
TYPE 1/2 & 3

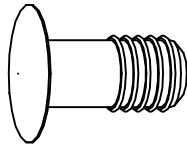
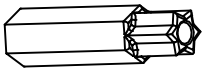


2.5 m

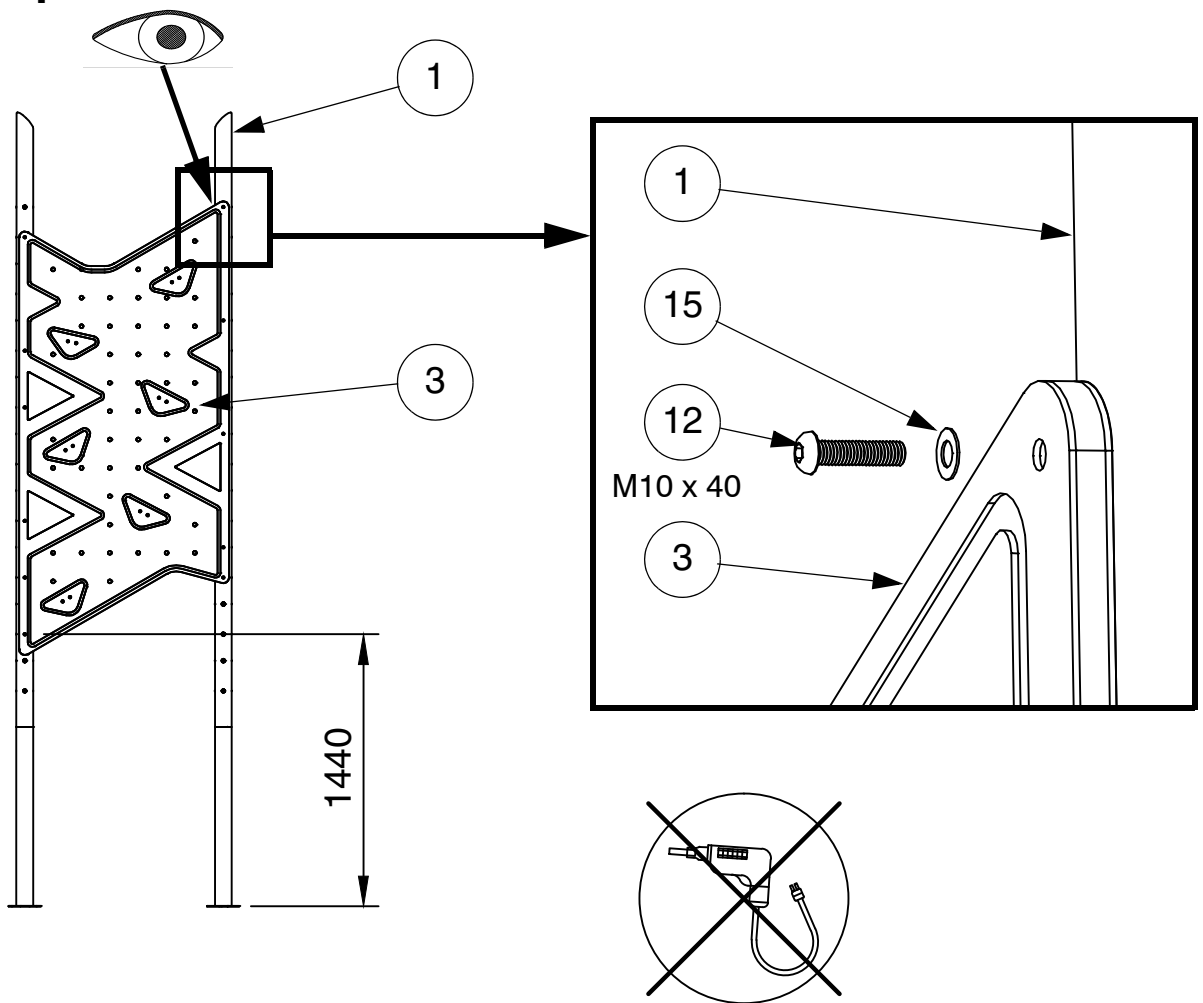


ITEM	REF	NXA-08	QTY	kg
1	92003001		4	49.00
2	92003030		1	15.00
3	92002030		2	39.00
4	91070510		1	13.00
5	38008027		2	1.50
6	92004010		7	0.75
7	91070241		24	0.42
8	15715000		8	0.10
9	19023802		2	0.05

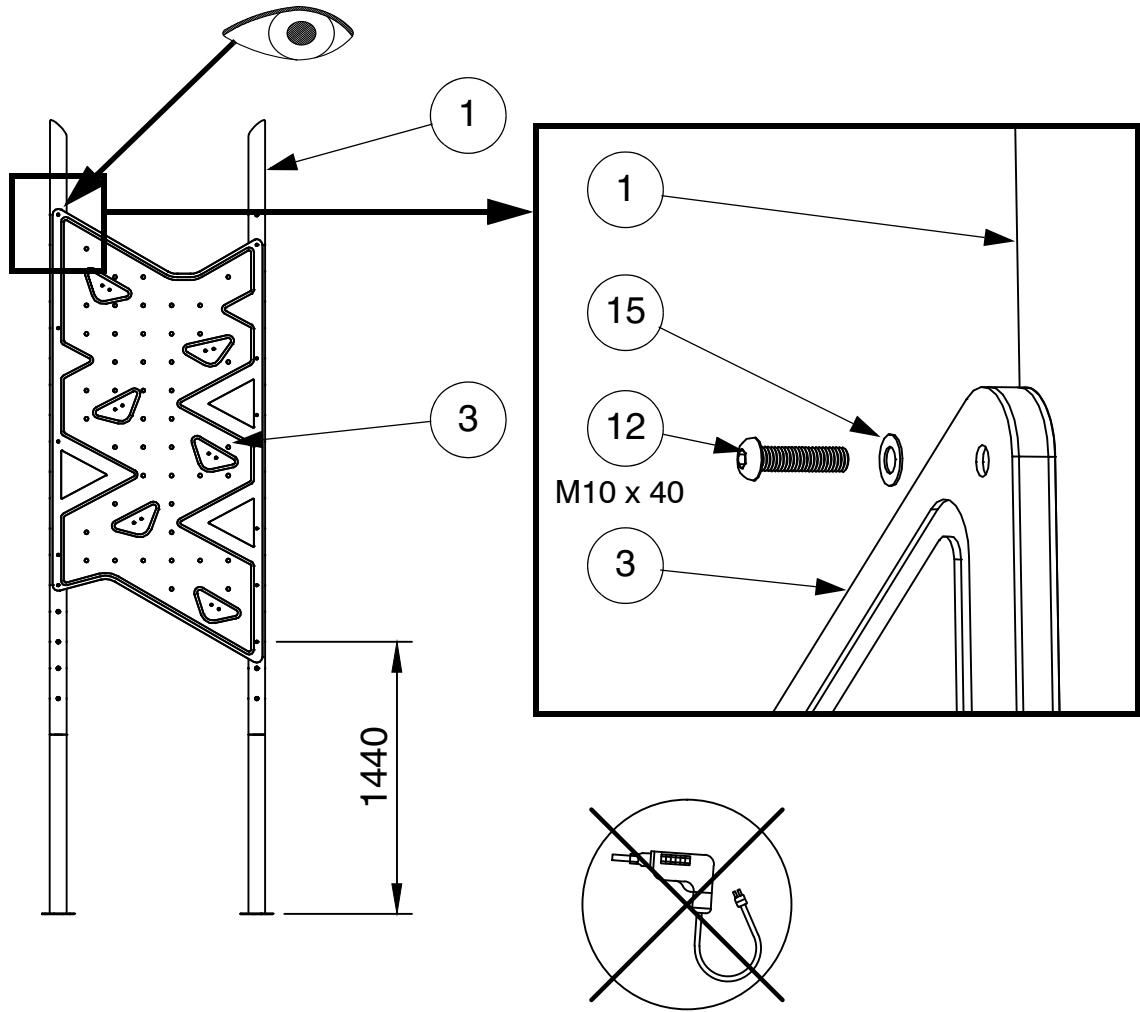
ITEM	REF	NXA-08	QTY	kg
10	10121065	 M10 X 65	14	0.050
11	10121055	 M10 X 55	24	0.044
12	10121040	 M10 X 40	28	0.037
13	10931000	 M10	24	0.020
14	38001019	 M10 12X32X6.5	4	0.002
15	10291000	 M10 11X21X1	24	0.002
16	10301200	 M12 13X20X1	24	0.002
17	10301000	 M10 12X18X1	42	0.001
18	15711010	 M10	6	0.105

ITEM	REF	NXA-08	QTY	kg
19	19024501		203	0.001
20	10121000	 T45 M10	2	-

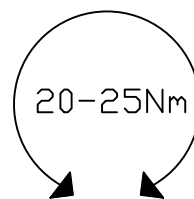
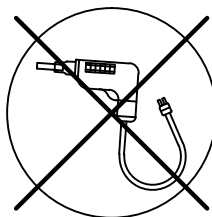
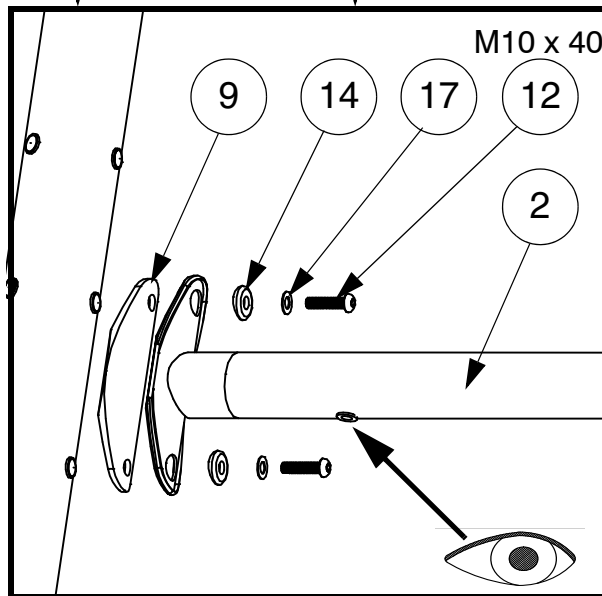
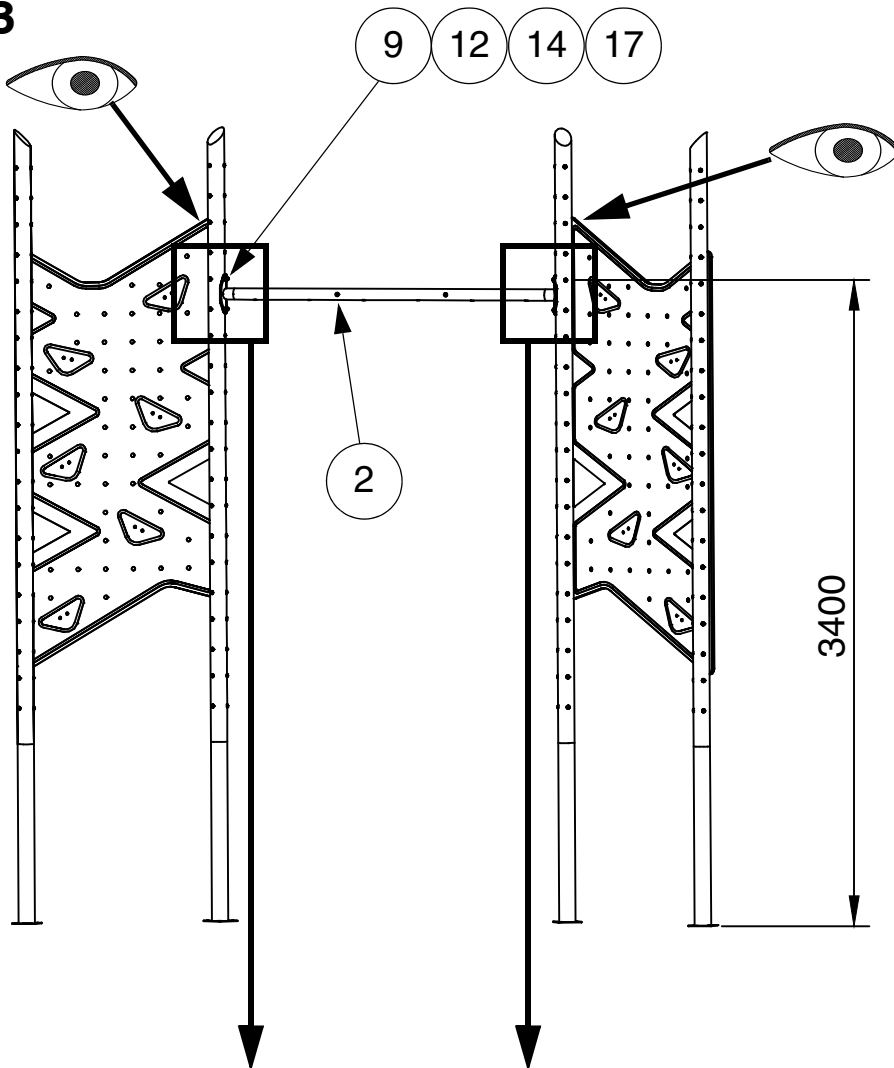
STEP 1



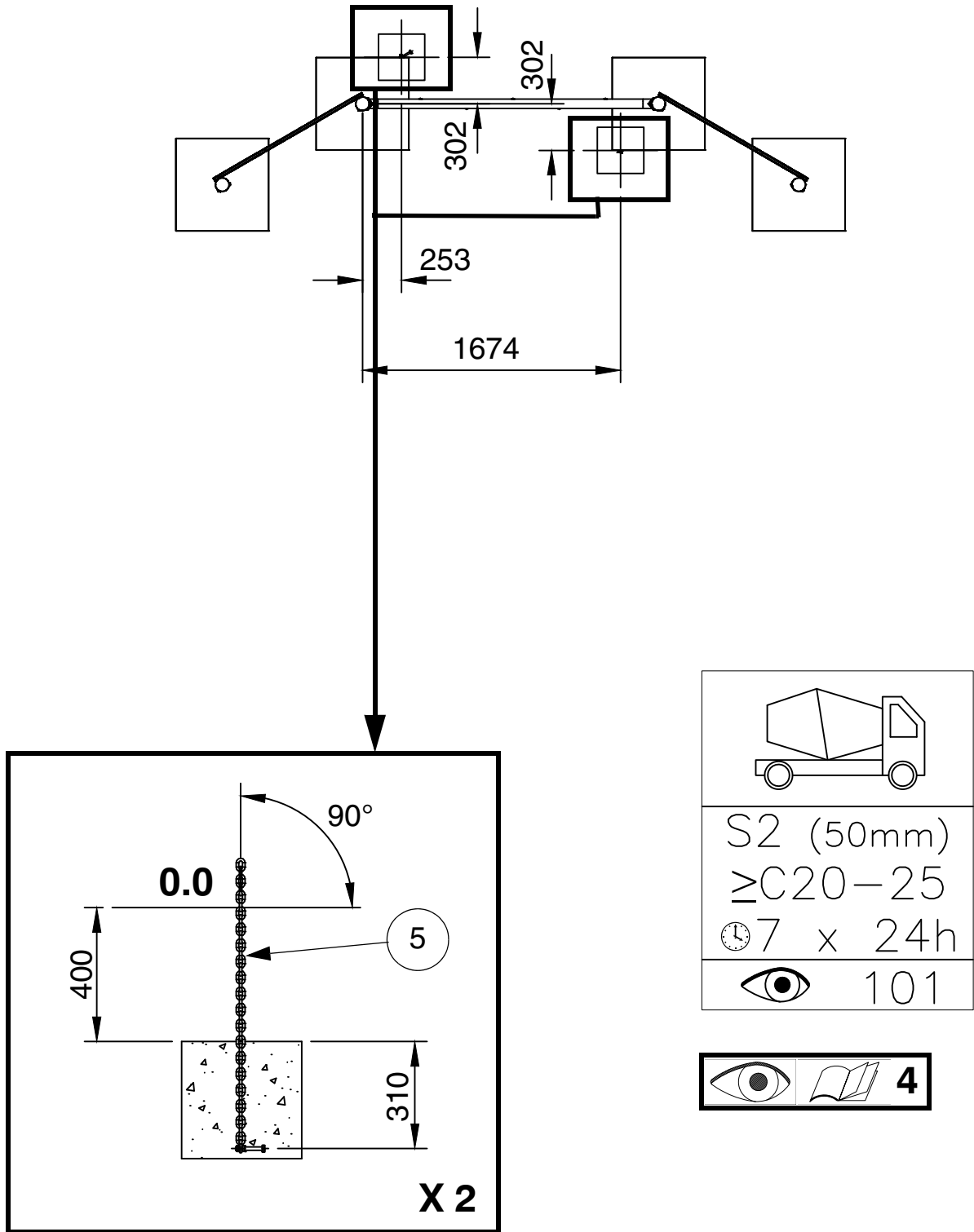
STEP 2



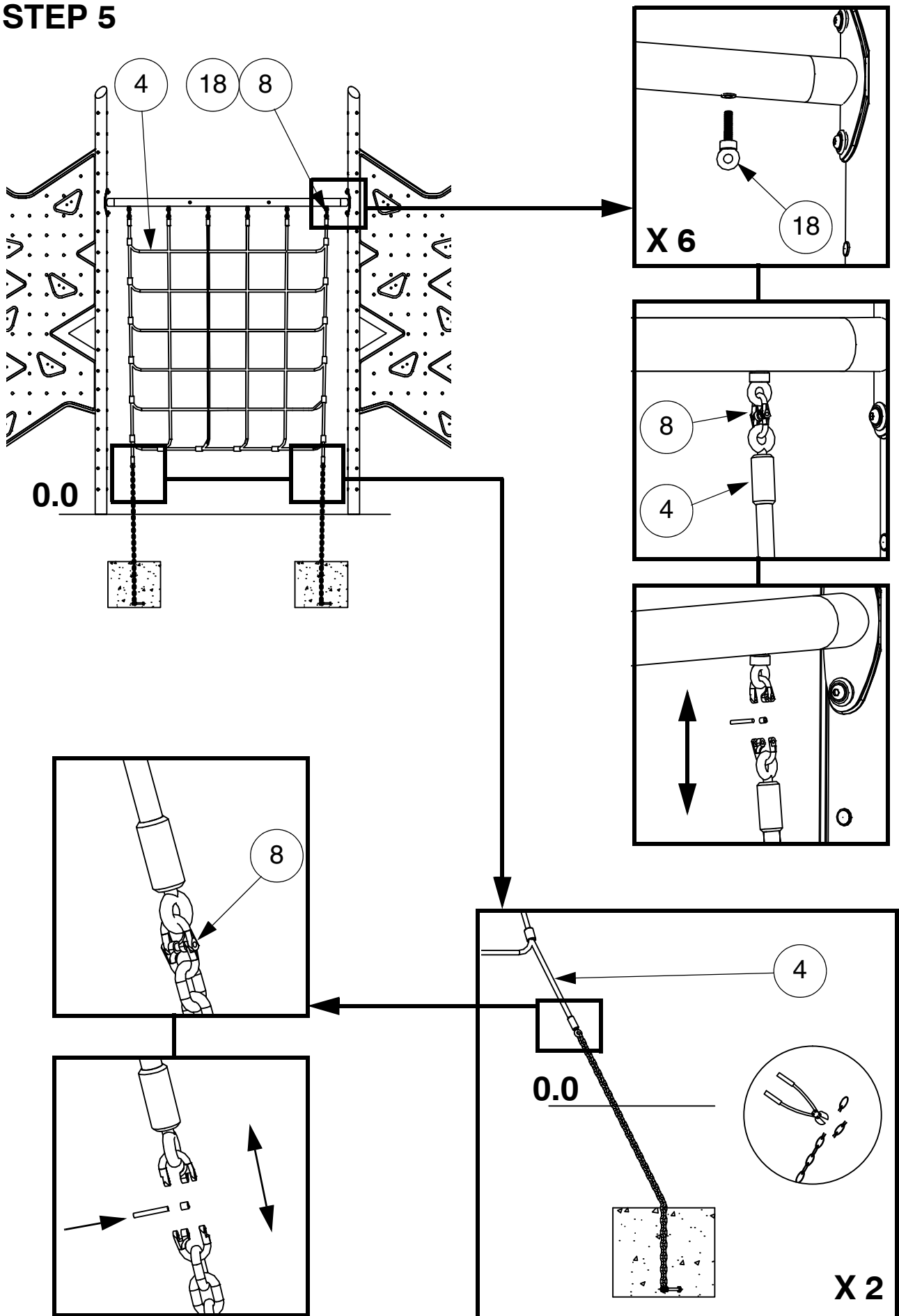
STEP 3



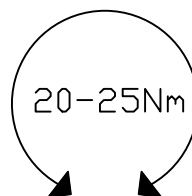
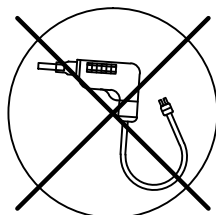
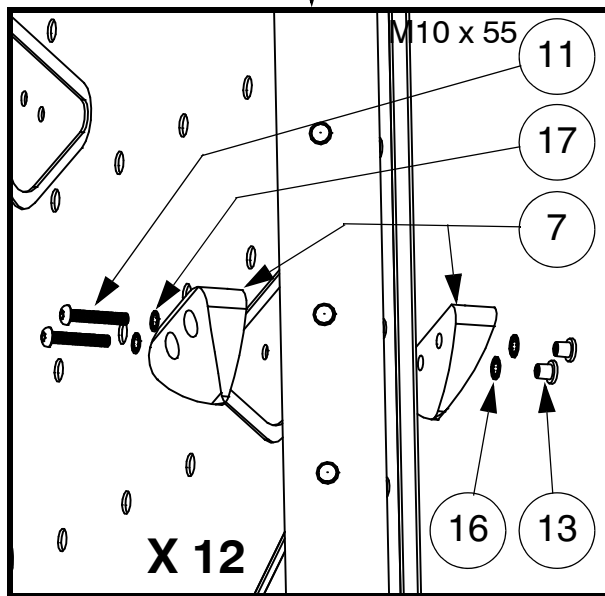
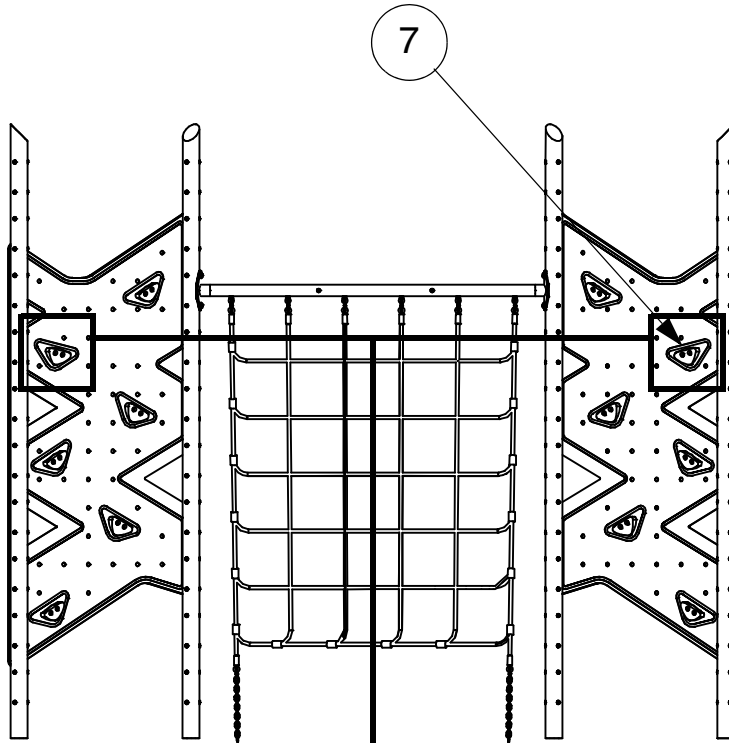
STEP 4



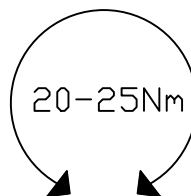
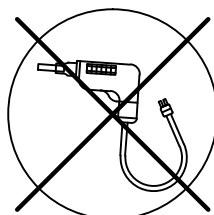
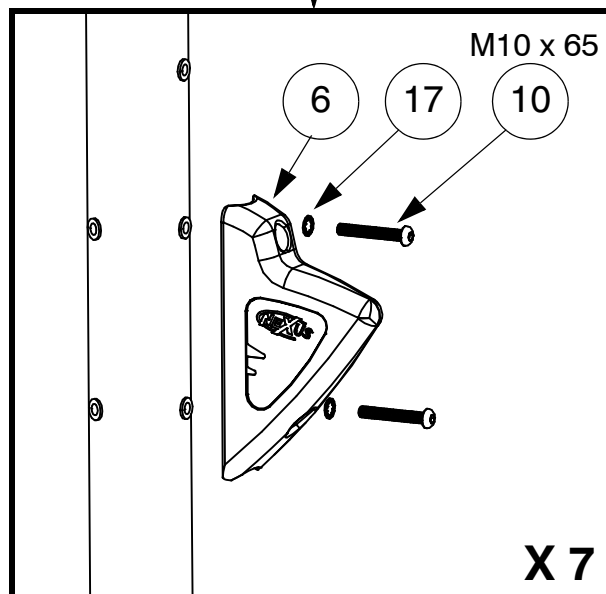
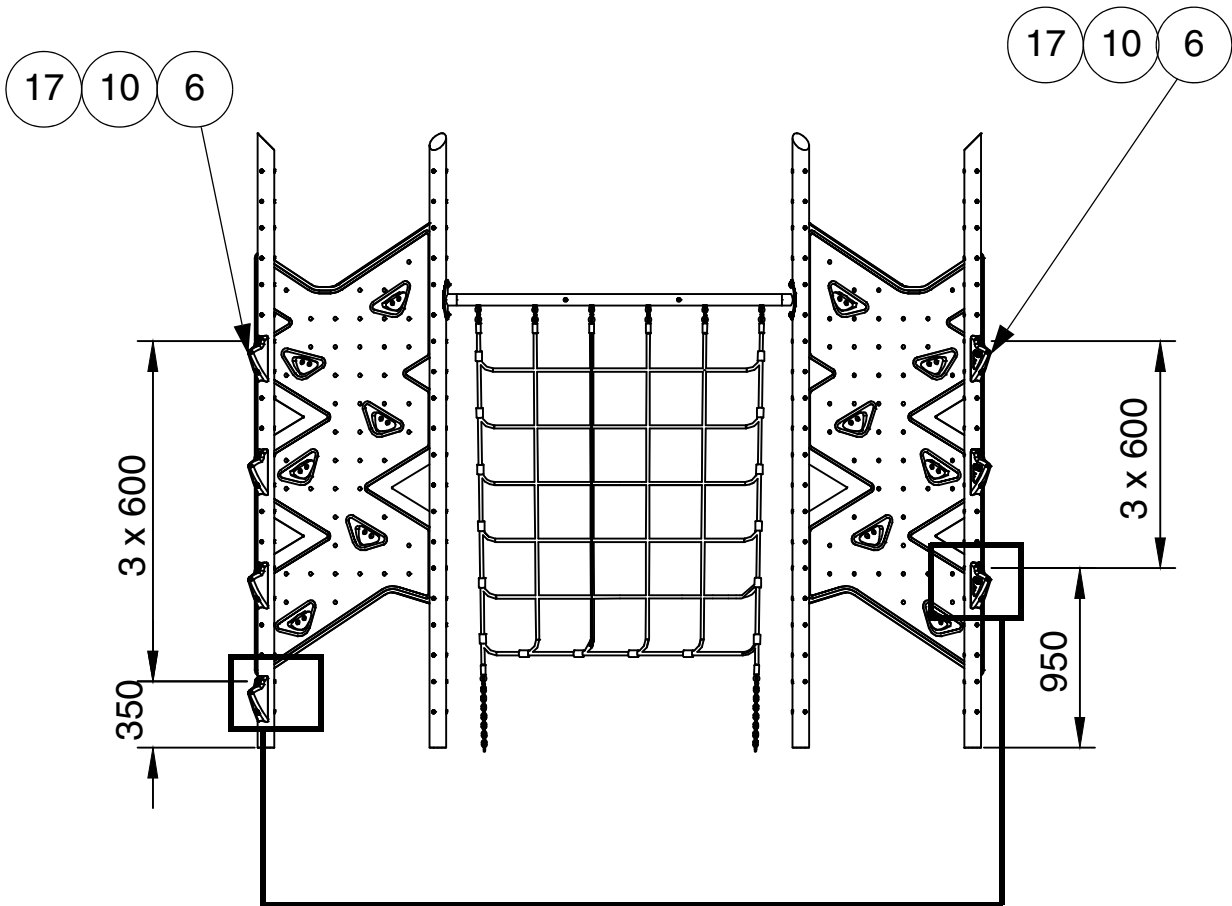
STEP 5



STEP 6



STEP 7



STEP 8

